



PIE DIFFUSION

4 Rue des Maraîchers, ZAC des Communes

78260 ACHERES

Tél : 01.39.11.61.62, Fax : 01.39.11.72.00

E-mail : Piedif@aol.com

www.piediffusion.com

Solder System SELECTIO E 047/460W



203394 V.03.1111

Solder System SELECTIO E 047/460W

V.03.1111

SELECTIO E 047/460W is certainly the most economical step from hand soldering to the semi-automated selective soldering.

Automated selective soldering process contributes significantly to the security and also provides optimal, reproducible solder joints. Only relatively high investment volumes of complex high-end selective soldering machines prevented more widespread use of this technology in small and medium enterprises.

With the introduction of STRECKFUSS SYSTEMS' selective soldering machine model SELECTIO E 047/460W allows companies with limited budgets the first entry in the automated soldering and opens up entirely new possibilities.

SELECTIO E 047/460W may be equipped differently. Besides the use of a single solder pot a second solder pot for wave soldering can be used. To reduce the cycle time a spray nozzle with a width of 100mm can be added for wave solder process. Instead of the flux spray nozzle installed in basic package a MicroDrop-2 nozzle can be placed to the machine as single or in multiple arrangement. There are different versions of preheat available for lead-free multi-layer PCB. STRECKFUSS SYSTEMS uses pure titanium for build lead-free solder pots of SELECTIO E 047/460W, only. Thus a possible corrosion is prevented even under the most intensive use.

The capacity of the solder pot is about 25 kg lead-free solder. Within the basic machine a inert gas supply for solder pot and solder nozzle is already present. In the base purchase price a standard solder nozzle of your choice with a matching gassing ring is included. The machine frame is designed for long-term industrial use. The right hand side panel, the side-mounted fluxer door and cabinet door as well as the anti-static swivel hood allow quick access to all units of the machine. The color of the machine corresponds to RAL 7035 light gray.

The positioning system is driven by robust stepping motors and precision spindles, with a repeatability of ± 0.1 mm. The PCB is fixed into the solder frame's sliding rails, the start button is pressed and the fluxing and soldering automatically starts. After completion the process of soldering the frame is provided at the transfer station.

SELOECTIO E 047/460W is controlled by a PLC. The user interface is realized by PC with keyboard and mouse. The changeable machine data are protected by several levels of password protection against unauthorized access. Up to 99 programs can be stored and retrieved in the control of soldering machine model SELECTIO E 047/460W. Automatic power-on and off times are programmed with the 7-day timer. The heating time of the solder pot, is between 60 and 90 minutes, depending on the alloy. The timer can be set so that the SELECTIO E 047/460W can immediately be started with the soldering process at begin of work shift.

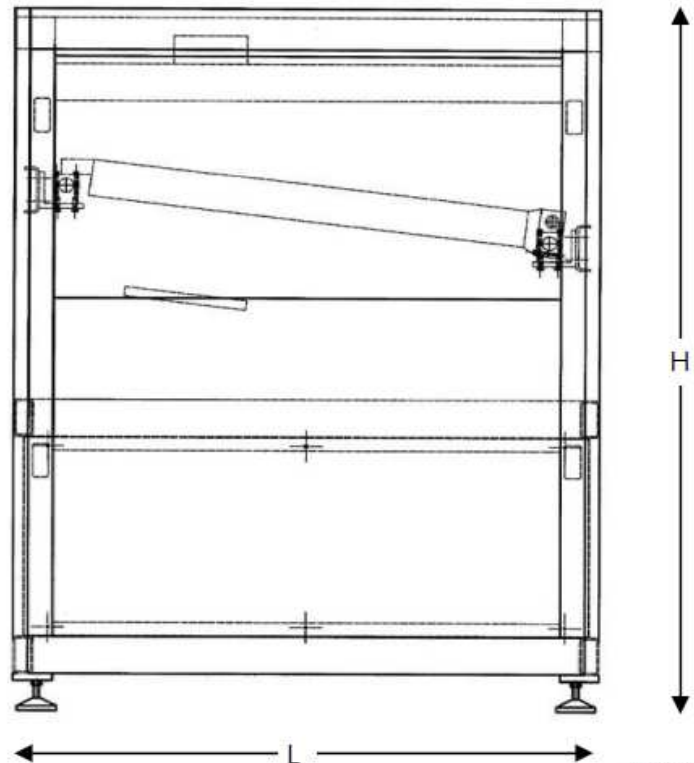
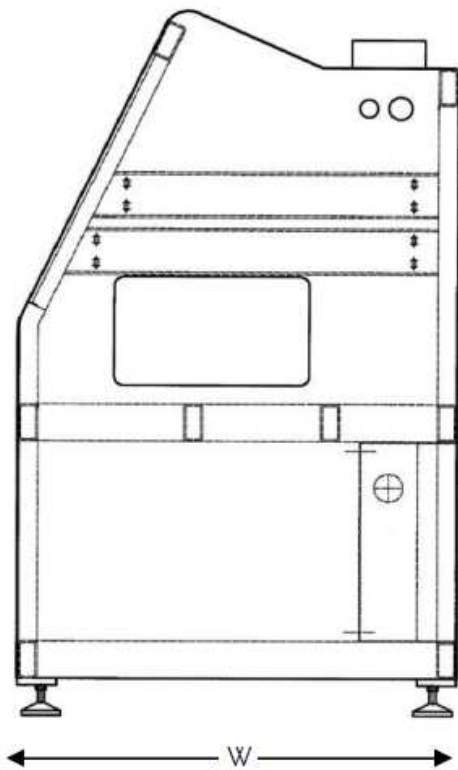
The programming is done by the integrated industrial Windows ® PC running STRECKFUSS SYSTEMS' firmware with camera with crosshair. With the help of this application the soldering programs can be created quickly and easily. Of course the created program files can be archived on hard disk of PC.

Then the newly created program is sent to machine control and the semi-automatic selective soldering model SELECTIO E 047/460W can begin its work.

Solder System SELECTIO E 047/460W

Specification

Dimension (L x W x H)	1.600 x 1.400 x 1.600 mm
Weight w/o solder	approx. 420 kgs
Selective solder area	460 x 460 mm
Wave solder area	300 x 460 mm
Speed	X/Y = 158 mm/sec, Z = 125 mm/sec
Position accuracy	±0,1 mm
Solder angle	7° fix
Solder temperature max.	320 °C
Solder pot	approx. 25 kgs (leadfree solder)
Flux container	approx. 6 ltr.
Inert gas consumption	approx. 3-10 m ³ /h with 4-6 bar
Compressed air	6 bar (use pressure limiter and filter)
Extraction capacity	600 m ³ /h (provided by customer)
Extraction connection	diam. 105 mm
Colour (Standard)	RAL 7035, light grey
Power consumption	ca.3 - 6 kW
Connection	3~ N, PE 230/400V, 50/60Hz

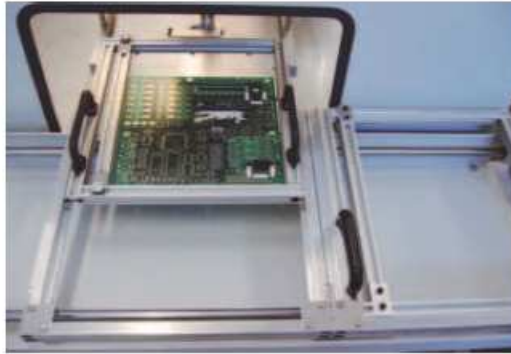


Solder System SELECTIO E 047/460W

Impressions



14047012 Autom. Solder Feeder



14047011 Working Area at inlet



14047017 Solder Pot complete with
14047019 Quick Exchange Trolley



14047013 Starter Kit



14047011 & 2 x 14047014 with 14047014.A
Component Containers



14047026 Titanium Wave
Solder Pot (lead free solder) with
motor and nozzle



14047024 Preheating with
quartz emitters 600 x 300 mm



14047025 Top-Preheating with
quartz emitters
for multilayer PCB



14047027 Fluxer for wave
solder 100mm width



140470900 Nozzle Body
for wettable Nozzle Inserts



14047901 Wettable Nozzle Inserts
(different sizes)